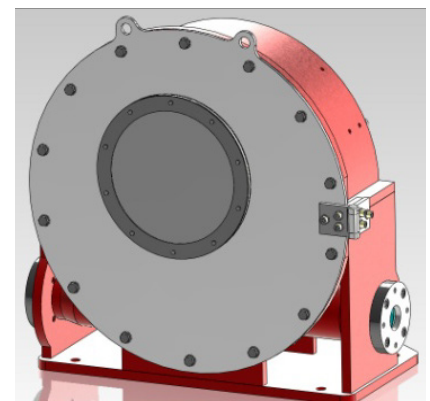
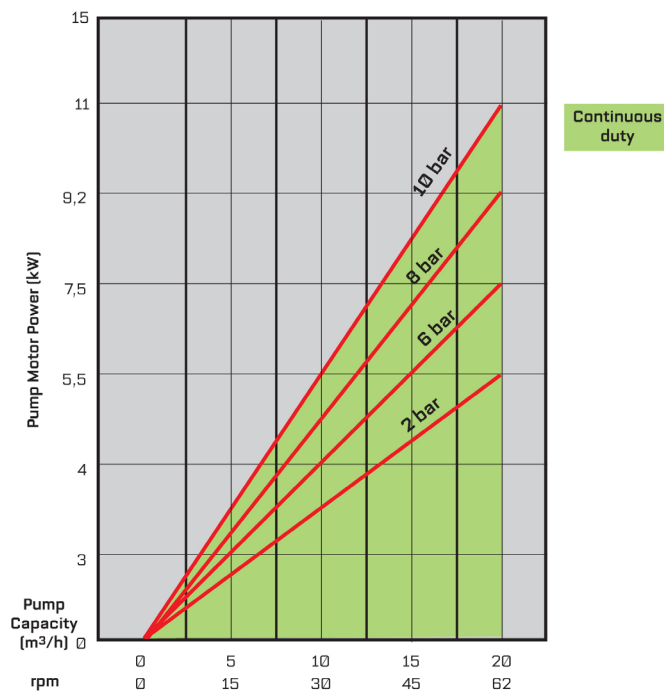




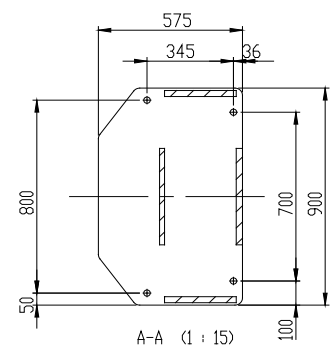
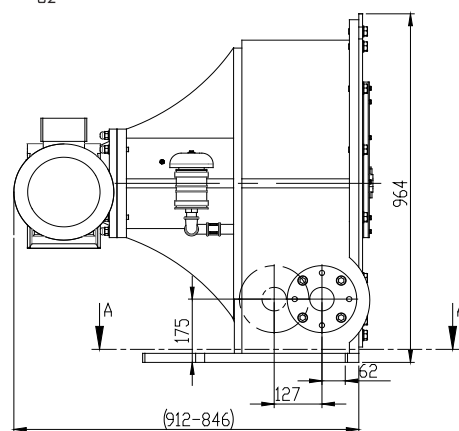
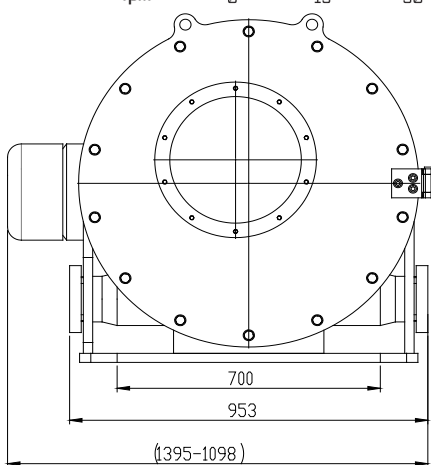
LPP-T65 Hose Pump

FLOW WITH MAXIMUM PRESSURE

LPP-T65 CAPACITY CHART, CONTINUOUS DUTY, UP TO 95°C
[24 h/day/7 days per week]



- ### Technical Data
- Maximum flow: 20m³/h
 - Maximum pressure: 10 bar
 - Flow/revolution: 5,4 l
 - Hose bore: 65 mm
 - Lubricant volume: 4 l
 - Weight: ~960kg
 - Motor power: 3 - 11 kW



Dimensions (X, Y) vary according to the drive size.
Please consult Flowrox Oy for the exact drive sizing to your application.

FLOWROX PUMP MODEL NUMBERING

| Model | Size (DN) | Drive | Pressure Class (PN) | Connection | Body Material | Drive Control | Auxiliaries |
|-----------------------------------|---|---|--|--|---------------|---|--|
| LPP-T= Industrial hose pump | 25 32 40 50 65 80 100 (mm) | GM = geared motor GU = gear unit BS = bare shaft pump | 10 = 10 BAR 7.5 - 7.5 BAR (DN80) | 1 = - 2 = flanged DIN PN 10 3 = flanged DIN PN 16 6 = flanged ANSI 150 8 = flanged B.S. TABLE D 9 = other | 0 = FE | II = Integrated inverter (IP66) I = Inverter (IP20) N = None WC = Control unit | T = pressure transmitter with display R = Revolution detector D = Hose leak detector H = Connector hoses K = Connector flange for pressure transmitter F = Forced cooling |

Example: Pump LPP-T40, geared motor, 10 bar, flanges DIN PN 10, with integrated inverter, pressure transmitter with display, hose leak detector

Type marking: LPP-T40GM 10-2-0-II-TD

FLOWROX PUMP HOSE MODEL NUMBERING

| Hose Type | Hose Material | Pressure Class (PN) | Hose Inner Diameter (mm) |
|----------------------------|---|-------------------------------------|---|
| LPP-T = LPP-T pump hose | EPDM = Ethylene propylene NR = Natural rubber NBR = Nitrile NBRF = Nitrile (FDA) | 10 = 10 BAR 7.5 = 7.5 BAR (DN80) | 25 32 40 50 65 80 100 |

Example: LPP-T hose, natural rubber, pressure class 10 bar, hose bore diameter 40 mm

Type marking: LPP-T40-NR10



Flowrox Oy
PO Box 338, FI-53101 Lappeenranta
Marssitie 1, FI-53600 Lappeenranta
Finland
Tel. +358 201 113 311

www.flowrox.com
info@flowrox.com

