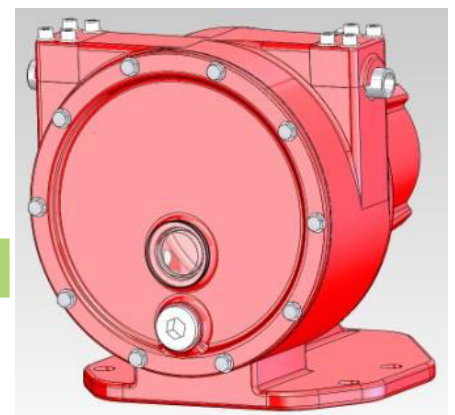
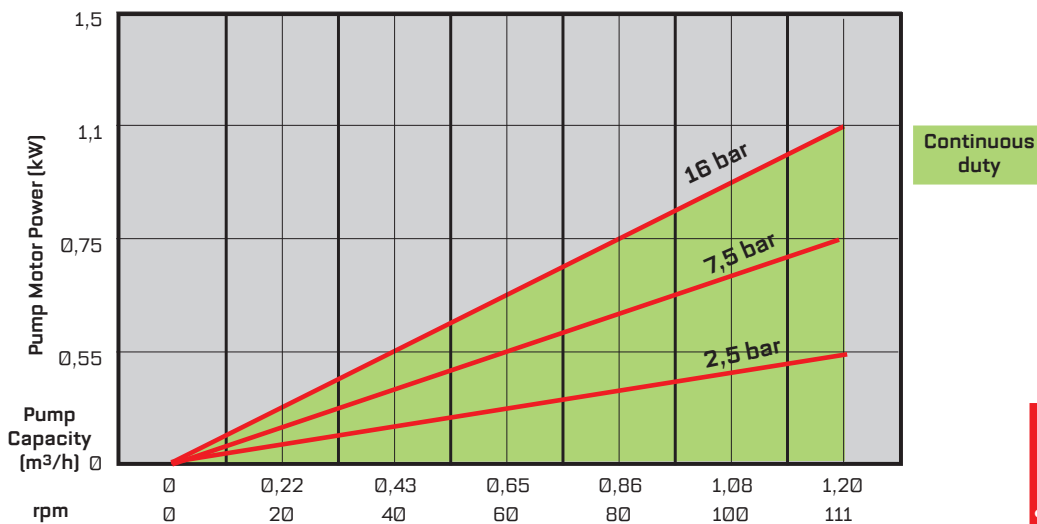




# LPP-D20 Hose Pump

## FLOW WITH MAXIMUM PRESSURE

LPP-D20 CAPACITY CHART, CONTINUOUS DUTY, UP TO 95°C  
[24 h/day/7 days per week]

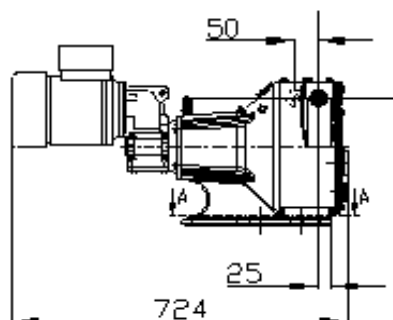
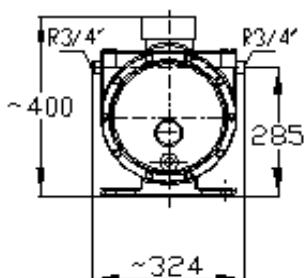
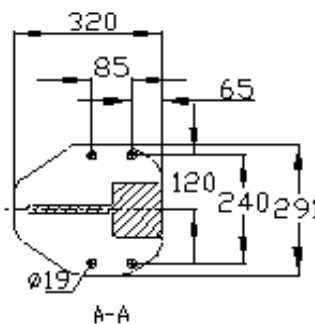


### Technical Data

- Maximum flow: 1.2m³/h
- Maximum pressure: 7,5/16 bar
- Flow/revolution: 0.18 l'
- Hose connection: R ¾"
- Hose bore: 20 mm
- Lubricant volume: 0.4 l
- Weight: ~47 kg
- Motor power: 0.55-1.1kW

### Construction materials

- Housing: High-strength cast aluminium
- Crank shaft: Carbon steel
- Rotor: PU or black nitrated steel
- Hose materials (colour code):
  - EPDM (violet)
  - NR (light blue)
  - NBR (yellow)
  - NBRF (white)



Dimensions (X, Y) vary according to the drive size.  
Please consult Flowrox Oy for the exact drive sizing to your application.

## FLOWROX PUMP MODEL NUMBERING

Model	Size (DN)	Drive	Pressure Class (PN)	Connection	Body Material	Drive Control	Auxiliaries
LPP-D= Dosing pump	15 20 25 (mm)	GM = geared motor GU = gear unit BS = bare shaft pump	7.5 bar 16 bar	R ½" R ¾" R 1" 9 = other	3 = AL	II = Integrated inverter (IP66) I = Inverter (IP20) N = None	R = Revolution detector D = Hose leak detector F = Forced cooling

**Example:** Pump LPP-D15, geared motor, 16 bar, hose connection R½", without inverter, revolution detector

**Type marking:** LPP-D15GM 16-R½"--3-N-R

## FLOWROX PUMP HOSE MODEL NUMBERING

Hose Type	Hose Material	Pressure Class (PN)	Hose Inner Diameter
LPP-D = LPP-D pump hose	EPDM = Ethylene propylene NR = Natural rubber NBR = Nitrile NBRF = Nitrile (FDA)	16 bar	15 20 25 (mm)

**Example:** LPP-D hose, natural rubber, pressure class 16 bar, hose bore diameter 15 mm

**Type marking:** LPP-D15-NR16



Flowrox Oy  
PO Box 338, FI-53101 Lappeenranta  
Marssitie 1, FI-53600 Lappeenranta  
Finland  
Tel. +358 201 113 311

[www.flowrox.com](http://www.flowrox.com)  
[info@flowrox.com](mailto:info@flowrox.com)

