



## Flowrox Packaged Pumping Systems™

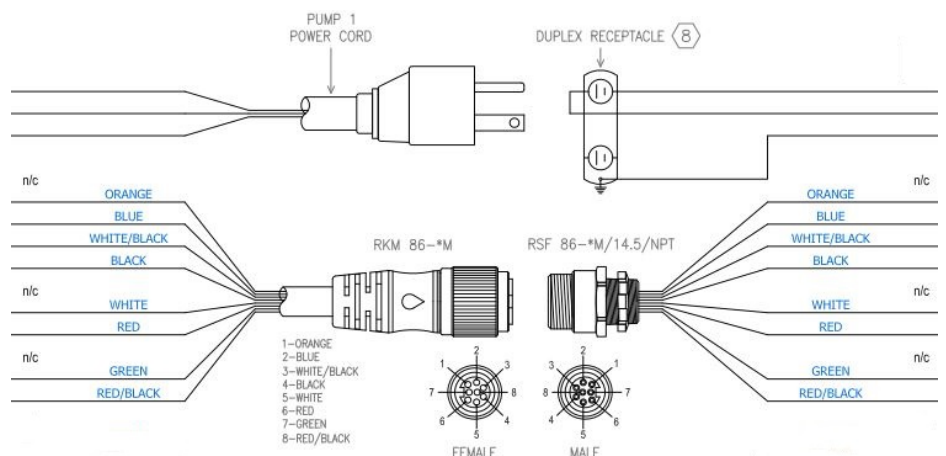
Standard Features
Wye Strainer
Isolation Ball Valves
Suction/Discharge Unions
Calibration Column
Auxiliary Manifold Block
Flared Quick Liquid Pump Connections
Pressure Relief Valve
Pressure Gauge with Diaphragm Isolator
Pulsation Dampener
Flush Valves

Add on Auxiliaries
Viton Seats
Venting on Ball Valves
Pressure Switches
Check Valve
CPVC Construction
Spray Shield
LPP-M3 Model Installation
Control/Power Termination Panel
Pin Connector Quick Disconnect Cables



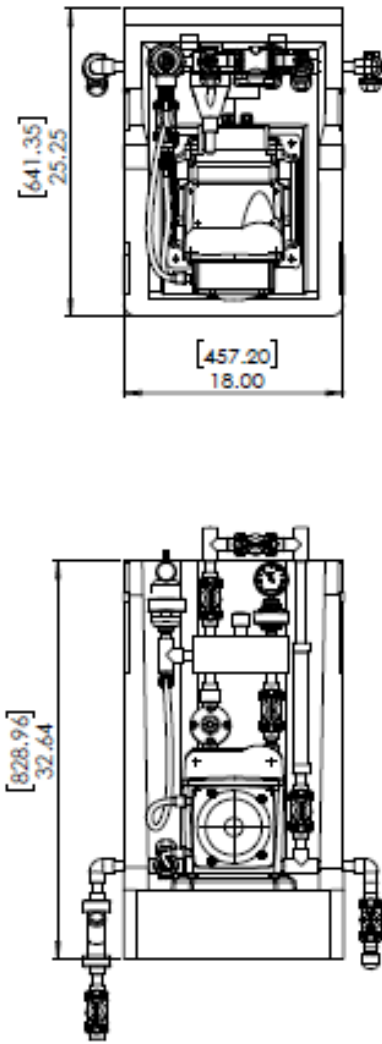
Materials of Construction	
<b>Systems Components:</b>	
Base Back Panel	Polyethylene
Pipe Clips	Polyethylene
Pump Mounting Stand	Polyethylene
Wall Mount Brackett	Stainsell Steel
<b>Accessories Materials Options:</b>	
Piping	PVC, CPVC, Other by Request
Ball Valves	PVC, CPVC, Other by Request (Venting)
Diaphragms	By Chemical
Relief Valves	PVC, CPVC, Other by Request
Isolators	PVC, CPVC, Other by Request
Calibration Columns	PVC
Pump Connection Tubes	PTVE
<b>Control Panel:</b>	
Termination Box	FRP Nema 4x/IP66
Receptacle	Outdoor Covered (Nonmetallic)

Common Applications	
Sodium Hypochlorite	Polymers
Lime Slurry	PAC (Activated Carbon)
Alum	Caustic
Ferric Chloride	Sampling
Sodium Bisulfite	Dyes
Coagulants	Pigments
Propylene Glycol	Sodium Hydroxide

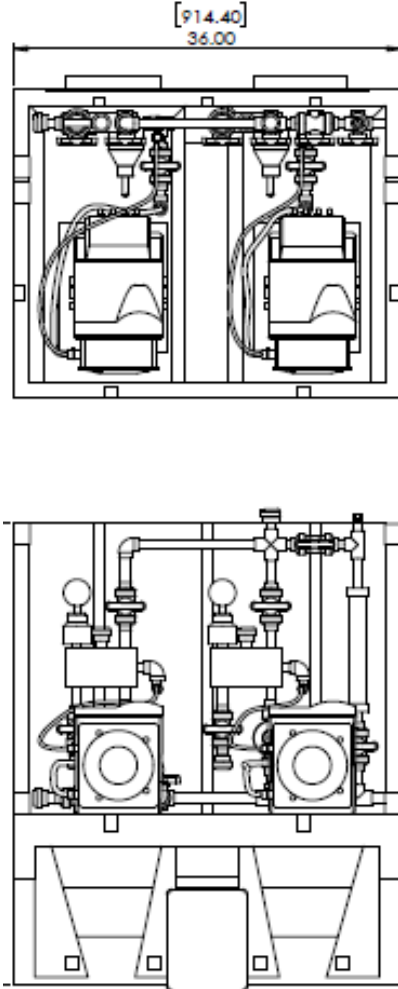


Flowrox termination paneling offers quick disconnect cabling between the power and control terminations on the pump skid and the pump itself. This allows for a simple extraction of the pump for calibration or cleaning.

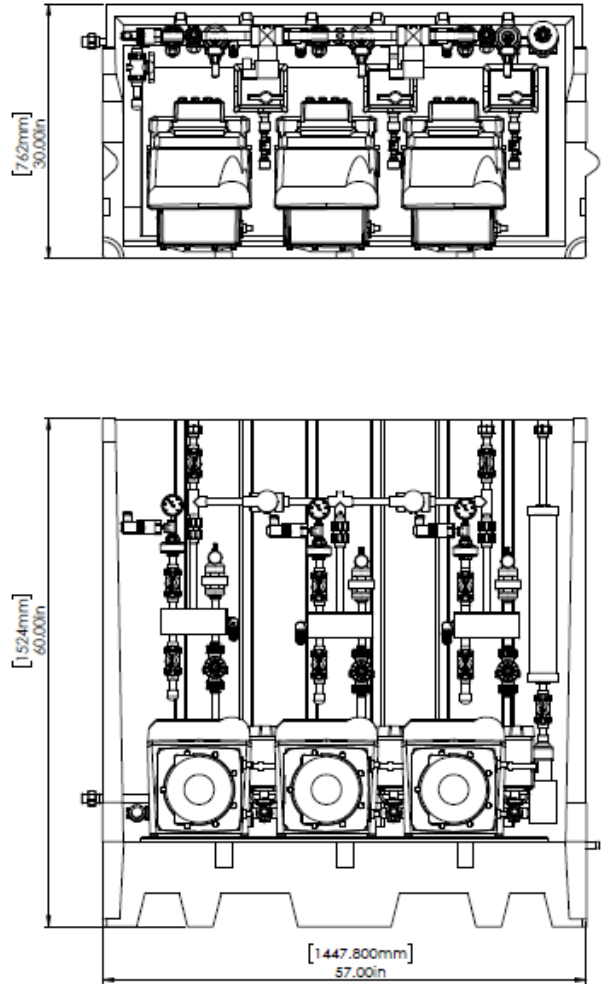
### Simplex Wall Mount



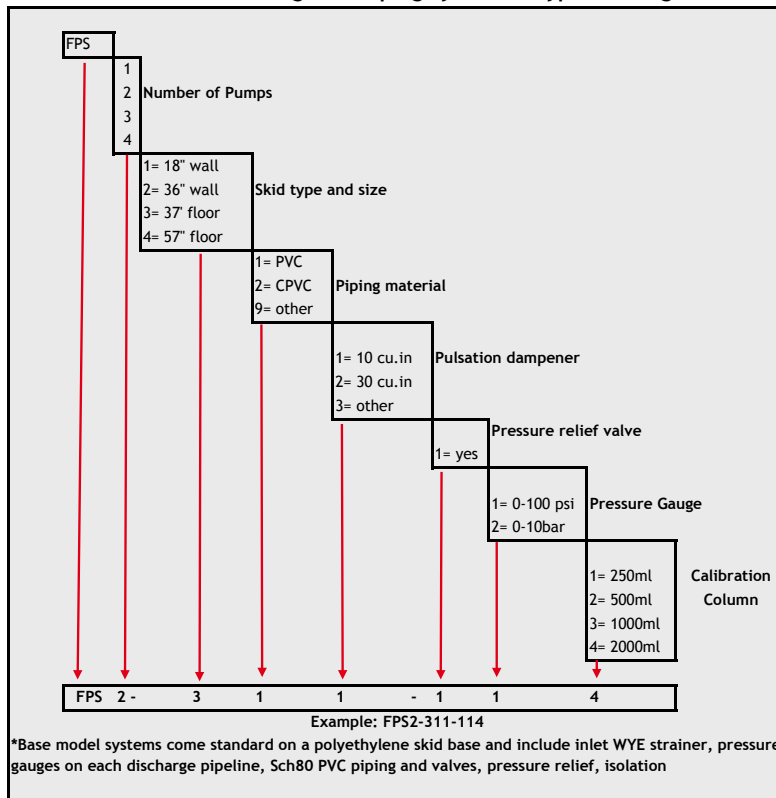
### Duplex Wall Mount



### Triplex Floor Mount



### Flowrox Packaged Pumping Systems™ type marking



Flowrox Oy  
 PO BOX 338, FI-53101 Lappeenranta  
 Marssitie 1, FI-53600 Lappeenranta  
 Finland  
 Tel. +358 201 113 311

www.flowrox.com  
 info@flowrox.com

