

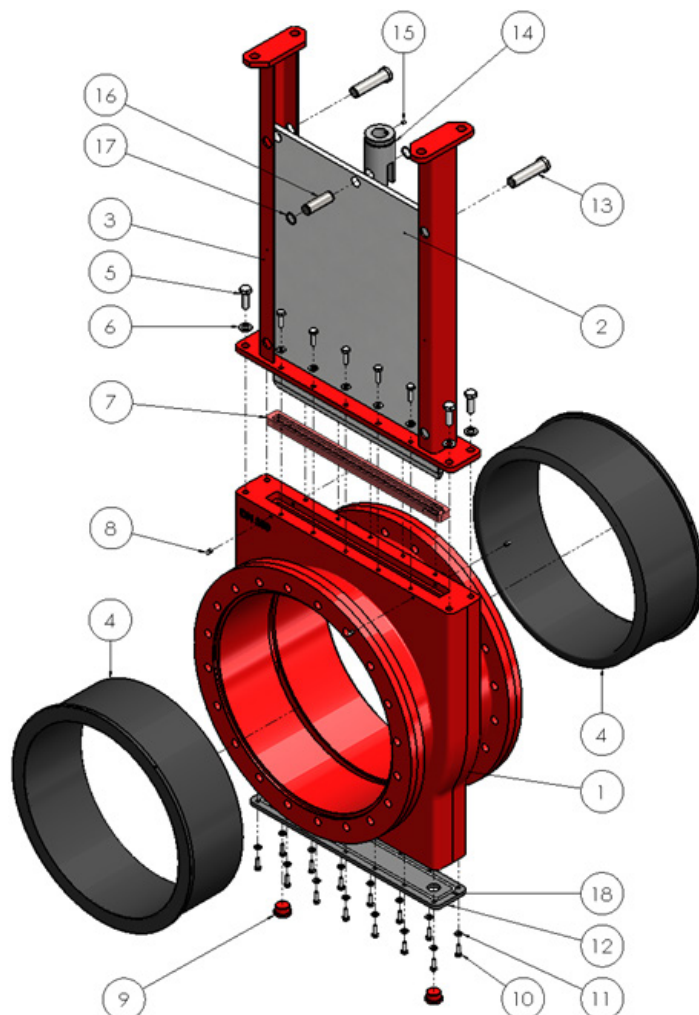


SKF Slurry Knife Gate Valves

EXPLODED VIEW OF A FLANGED SKF KNIFE GATE VALVE

Part	Qty	Description	Part	Qty	Description
1	1	Valve body	10	**	Bottom cover bolt
2	1	Gate	11	**	Bottom cover washer
3	1	Tower	12	1	Bottom cover plate
4	2	Ring sleeve*	13	2	Locking pin (optional)
5	**	Tower mounting bolt	14	1	Clevis
6	**	Tower mounting washer	15	1	Clevis locking screw
7	1	Secondary seal*	16	1	Clevis pin
8	4	Grease nipple	17	2	Retaining ring
9	2	Protective plug	18	1	PTFE sealing strip

*recommended spare part
** qty depends on valve size



TECHNICAL DATA

Valve Body

- Heavy duty single piece cast body
- Heavy duty tower
- Lubrication ports
- Flushing ports
- Removable bottom cover plate

Actuators

- Manual
- Manual gear
- Pneumatic
- Hydraulic
- Electric

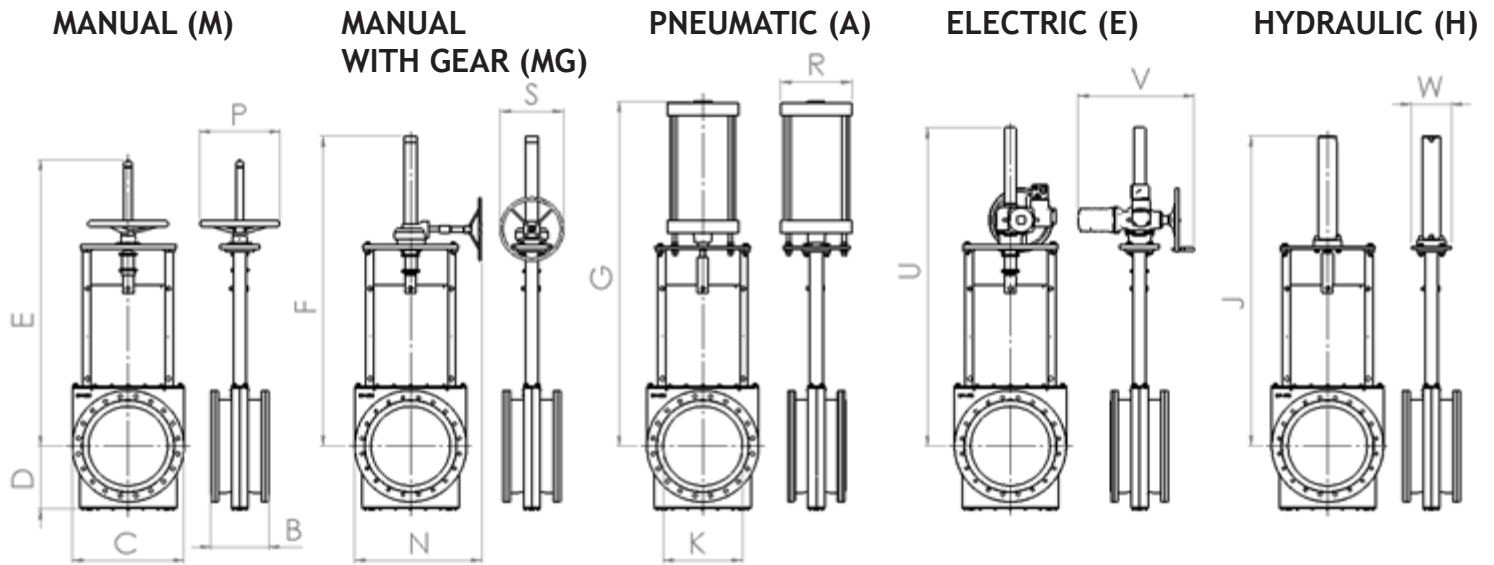
Accessories

- Limit Switches
- Solenoid valves
- Guarding
- Flushing





MAIN DIMENSIONS OF SKF VALVES



Valve size (DN)	B	B*	C	D	E		G	J	U	K	N	P	R	S	V	W	Weight (kg)					T
					M	MG											A	H	E	M	MG	
80	175	179	200	112	628	-	683	-	739	80	-	350	110	-	513	-	32	-	31	57	-	G 1/2"
100	175	179	230	132	640	-	725	-	751	100	-	350	120	-	513	-	39	-	41	64	-	G 1/2"
150	178	182	285	157	913	-	972	-	879	150	-	350	176	-	513	-	41	-	66	80	-	G 1/2"
200	184	188	346	188	1006	-	1115	-	972	200	-	350	220	-	513	-	85	-	100	108	-	G 1/2"
250	226	230	410	223	-	-	1316	-	1150	250	-	-	270	-	537	-	-	-	143	142	-	G 1/2"
300	257	261	483	262	-	1380	1512	-	1363	300	535	-	340	400	537	-	-	187	253	203	-	G 1"
350	257	261	533	285	-	1455	1661	1521	1481	350	560	-	340	400	724	200	-	215	282	252	216	G 1"
400	279	283	600	322	-	1574	1799	1700	1600	400	698	-	340	400	724	200	-	284	349	320	285	G 1"
450	311	315	645	352	-	1875	2049	1831	1834	450	771	-	450	400	724	250	-	335	420	368	344	G 1"
500	359	363	705	402	-	1961	2180	1962	2015	500	801	-	450	400	731	250	-	447	527	501	451	G 1"
600	372	376	825	447	-	2250	-	2291	2234	600	861	-	-	400	795	250	-	629	-	700	652	G 1"

Bigger sizes on request

B* = ring sleeve uncompressed
M = handwheel
MG = manual with gearbox
A = pneumatic
E = electric
H = hydraulic
T = flushing connection

Dimensions and weight are for guidance only
- detailed drawings are available on request.
All other dimensions are in millimeters, but
flushing connections are in inches.

Manual and electric valve stems are covered
by bellows.



Flowrox Oy
P.O. Box 338, FI-53101 Lappeenranta
Finland
Tel. +358 201 113 311

www.flowrox.com
info@flowrox.com

