

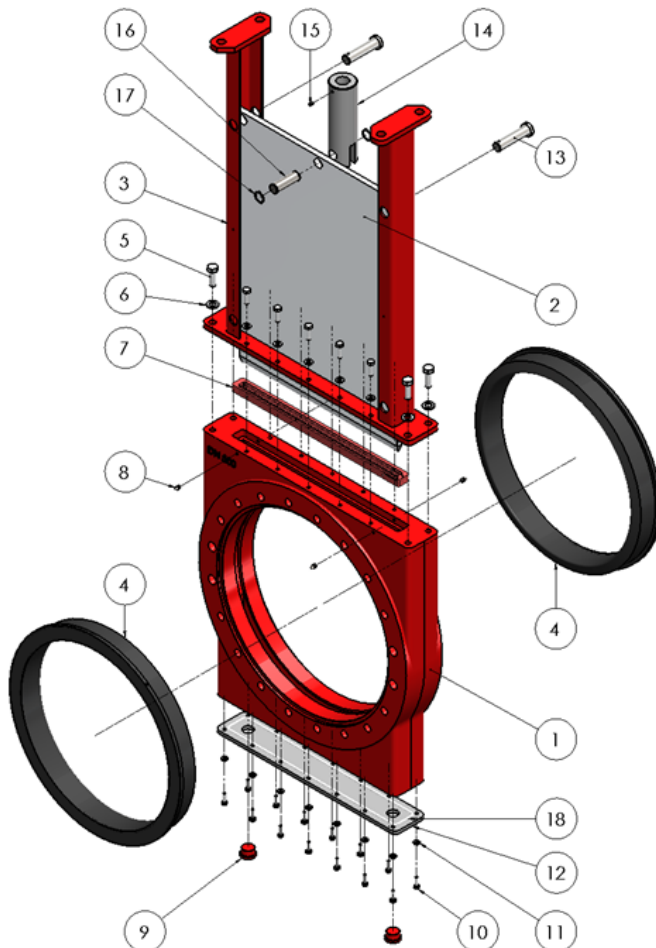


SKW Slurry Knife Gate Valves

EXPLODED VIEW OF SKW WAFER KNIFE GATE VALVE

Part	Qty	Description	Part	Qty	Description
1	1	Valve body	10	**	Bottom cover bolt
2	1	Gate	11	**	Bottom cover washer
3	1	Tower	12	1	Bottom cover plate
4	2	Ring sleeve*	13	2	Locking pin (optional)
5	**	Tower mounting bolt	14	1	Clevis
6	**	Tower mounting washer	15	1	Clevis locking screw
7	1	Secondary seal*	16	1	Clevis pin
8	4	Grease nipple	17	2	Retaining ring
9	2	Protective plug	18	1	PTFE sealing strip

*recommended spare part
** qty depends on valve size



TECHNICAL DATA

Valve Body

- Heavy duty single piece cast body
- Heavy duty tower
- Lubrication ports
- Flushing ports
- Removable bottom cover plate

Actuators

- Manual
- Manual gear
- Pneumatic
- Hydraulic
- Electric

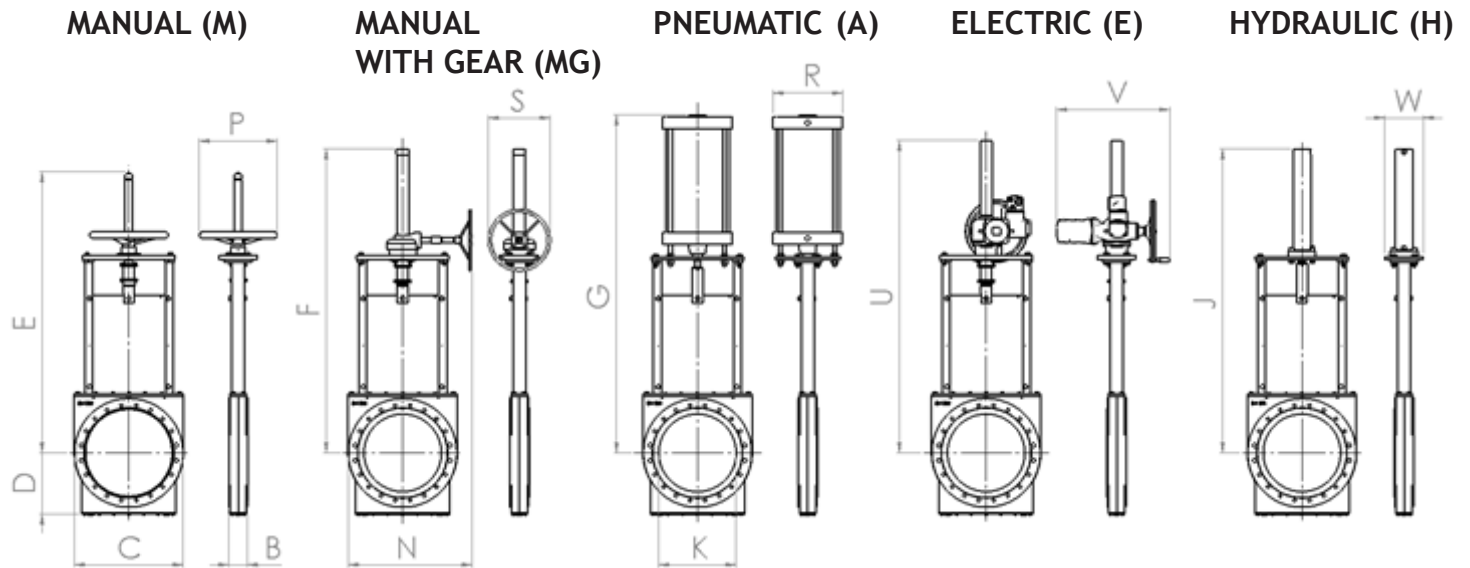
Accessories

- Limit Switches
- Solenoid valves
- Guarding
- Flushing





MAIN DIMENSIONS OF SKW VALVES



Valve size (DN)	B	B*	C	D	E		F		G		J		U		K		N		P		R		S		V		W		Weight (kg)					T
					M	MG	A	H	E		MG	M	A	MG	E	H	M	MG	A	E	H	M	MG	A	E	H								
50	54	58	165	102	566	-	586	-	-	-	-	-	-	-	-	-	-	-	-	350	110	-	-	-	20	-	17	-	-	-	-	G1/2"		
80	57	61	200	112	628	-	683	-	739	80	-	350	110	-	513	-	24	-	22	48	-	-	-	24	-	22	48	-	-	-	G1/2"			
100	57	61	230	132	648	-	725	-	751	100	-	350	120	-	513	-	30	-	28	51	-	-	-	30	-	28	51	-	-	-	G1/2"			
150	64	68	285	157	921	-	972	-	879	150	-	350	176	-	513	-	42	-	49	64	-	-	-	42	-	49	64	-	-	-	G1/2"			
200	76	80	346	188	1006	1148	1115	988	972	200	466	350	220	400	513	150	61	87	75	83	59	-	-	61	87	75	83	59	-	-	G1/2"			
250	76	80	410	223	1133	-	1316	-	1150	250	-	350	250	-	537	-	82	-	113	104	-	-	-	82	-	113	104	-	-	-	G1/2"			
300	83	87	483	262	-	1380	1512	-	1363	300	535	-	340	400	537	-	-	134	190	150	-	-	-	-	134	190	150	-	-	-	G 1"			
350	83	87	533	285	-	1455	1661	1521	1481	350	560	-	340	400	724	200	-	145	215	184	146	-	-	-	145	215	184	146	-	-	-	G 1"		
400	95	99	600	322	-	1574	1799	1700	1600	400	698	-	340	400	724	200	-	186	260	222	187	-	-	-	186	260	222	187	-	-	-	G 1"		
450	95	99	645	352	-	1875	2049	1831	1834	450	771	-	450	400	724	250	-	229	318	262	243	-	-	-	229	318	262	243	-	-	-	G 1"		
500	121	125	705	403	-	1962	2180	1962	2015	500	801	-	450	400	731	250	-	316	400	370	320	-	-	-	316	400	370	320	-	-	-	G 1"		
600	121	125	825	447	-	2250	2323	2291	2234	600	861	-	630	400	795	250	-	461	592	532	484	-	-	-	461	592	532	484	-	-	-	G 1"		

Bigger sizes on request

- B* = ring sleeve uncompressed
- M = handwheel
- MG = manual with gearbox
- A = pneumatic
- E = electric
- H = hydraulic
- T = flushing connection

Dimensions and weight are for guidance only - detailed drawings are available on request. All other dimensions are in millimeters, but flushing connections are in inches.

Manual and electric valve stems are covered by bellows.



Flowrox Oy
P.O. Box 338, FI-53101 Lappeenranta
Finland
Tel. +358 201 113 311

www.flowrox.com
info@flowrox.com

