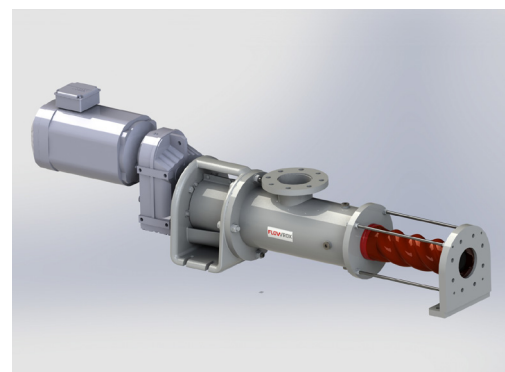
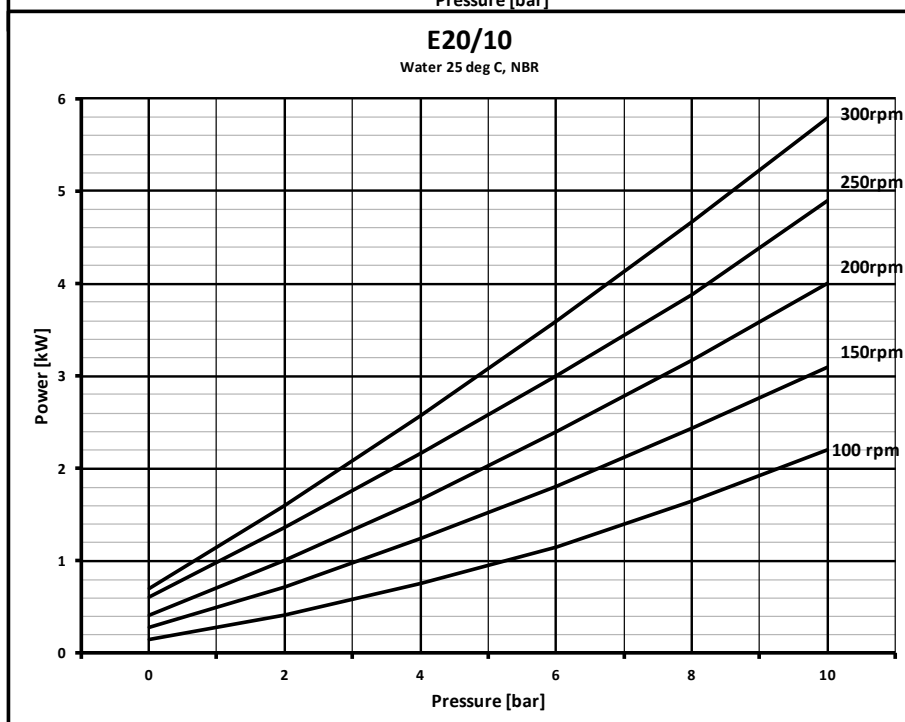
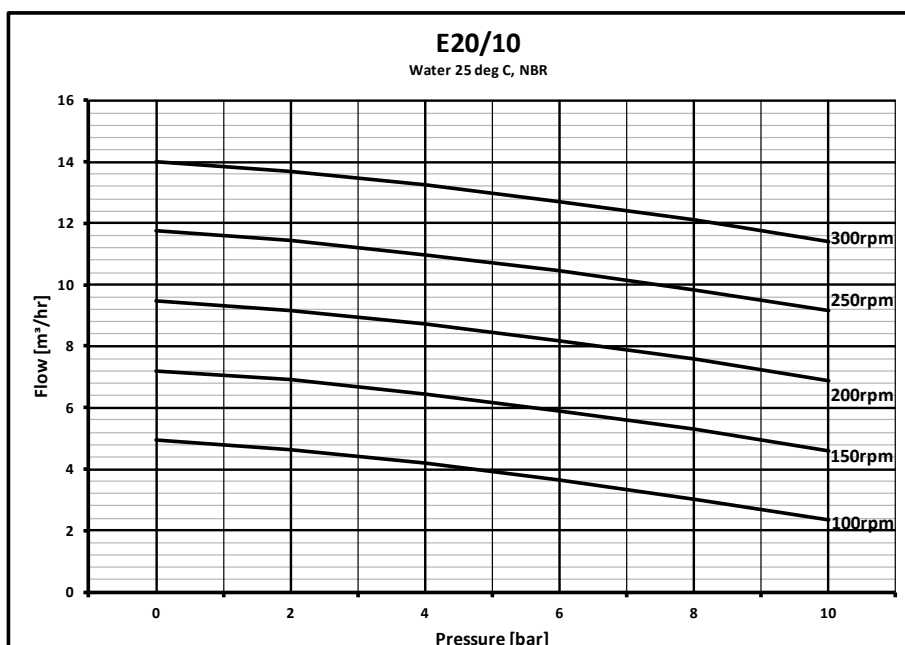




PC Pump E20/10



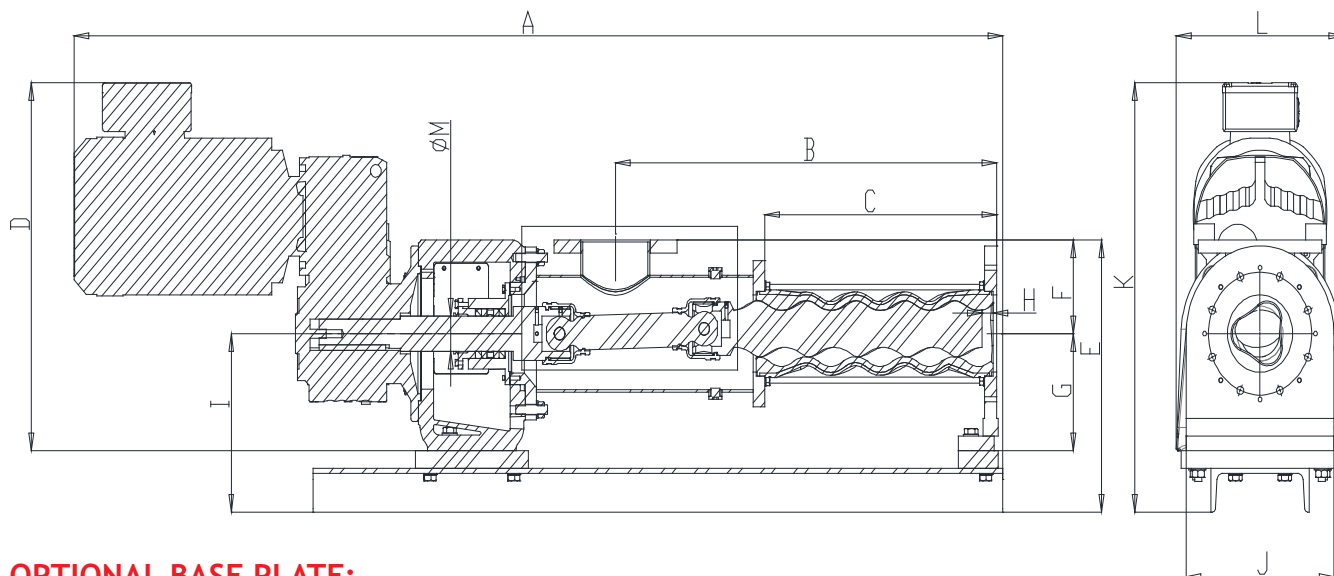
TECHNICAL DATA

- Evenwall® stator
- Maximum flow: 14,1 m³/h
- Nominal flow: 10,6 m³/h
- Maximum pressure: 10 bar
- Temperature up to 70 °C
- Weight: 270 kg
- Max motor power: 7,5 kW
- Flange connection size: DN100
- Flange drilling: DIN PN10 or ANSI150
- Can be installed without base plate
- No dry running
- NPSH tba

MAIN DIMENSIONS

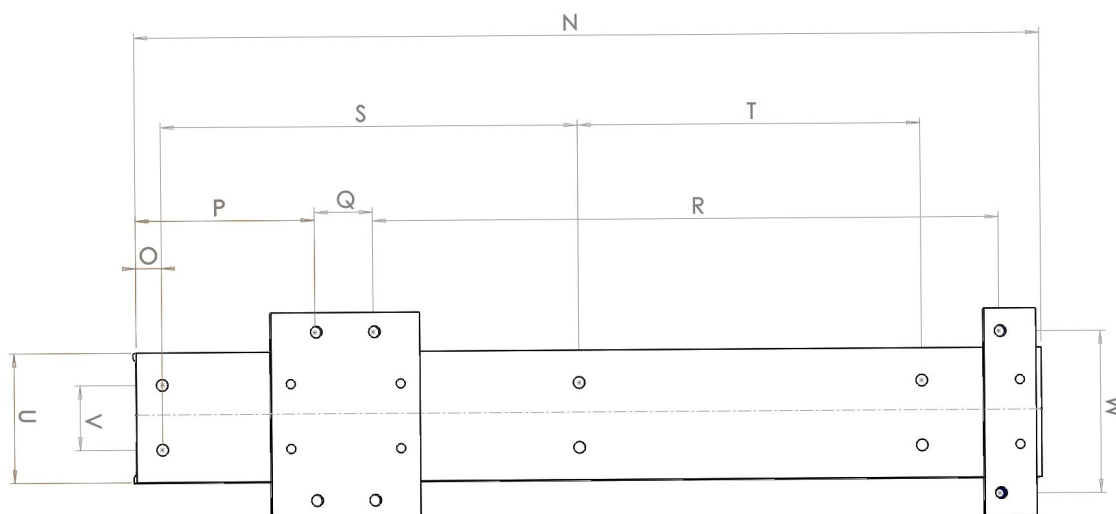
Model	A	B	C	D	E	F	G	H	I	J	K	L	M	Weight (kg)
E20/10	1723	698	395	566	420	160	155	15	260	250	566	340	50	273

Dimensions are in mm.



OPTIONAL BASE PLATE:

Model	N	O	P	Q	R	S	T	U	V	W
E20/10	1300	45	253	90	892	560	560	200	100	200



PRODUCT SPECIFICATION

Body	Suction Pipe	Rotor	Rotor coatings	Stator	Drive	Seal types
Cast iron	<ul style="list-style-type: none"> Carbon steel Carbon steel with maintenance hatch Stainless steel with maintenance hatch 	<ul style="list-style-type: none"> Carbon steel Stainless steel 	<ul style="list-style-type: none"> Black nitrated Hard chromium Tungsten carbide 	<ul style="list-style-type: none"> NBR EPDM Viton 	Gear motor drive	<ul style="list-style-type: none"> Single Mechanical Shaft Seal Double Mechanical Shaft Seal Gland Packing

Information without engagement. All rights to changes without prior notice reserved.



Flowrox Oy
P.O. Box 338, FI-53101 Lappeenranta
Finland
Tel. +358 201 113 311

www.flowrox.com
info@flowrox.com

