

Progressive Cavity Pump, EL-series

TECHNICAL DATA SHEET

The Flowrox progressive cavity (PC) pumps' EL-series is designed for environmental applications such as waste water treatment. Due to its technical features high efficiency is achieved with a short construction. It is easy to install and requires less energy and maintenance resulting in very low Total Cost of Ownership (TCO).

GENERAL

The Flowrox EL-series progressing cavity pumps were conceived by utilizing Flowrox' extensive experience in progressing cavity pump service and spare parts production as well as the knowledge gained from our innovative peristaltic pump range. Flowrox is the industry benchmark for abrasive, corrosive, other demanding shut-off, control, and pumping applications.

BENEFITS

The precise 2/3-lobe elliptic long pitch rotor allows a rigid and tighter pumping unit, which enables 6 bar pressure per stage and excellent efficiency. With this long pitch elliptic rotor, higher output is achieved with lower rpm cycles. Lower cycles lead to lower friction and wearing of rotors and stators.

Easy installation, usage and maintenance have been taken into account in the pump's structure. The direction of the pump's suction connection can be adjusted over 180° degrees and the change of the main sealing mechanics is quick and easy.

With Flowrox PC pump's built-in advantages, the customer's actual savings both in energy consumption as well as installation and maintenance costs result in decreasing the Total Cost of Ownership (TCO) and providing higher plant availability.

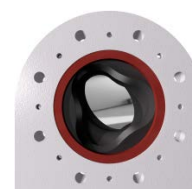
In the block-model framed EL-series pumps the bearings are inside the gear, not in the pump's body. In waste water applications a single mechanical main seal is often used in EL-series pumps, but if the application is more demanding double mechanical main seal is also available.

Benefits and Features

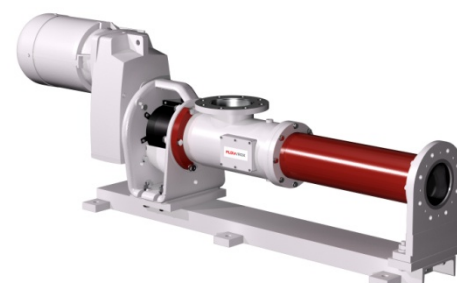
- Low life cycle costs (TCO) [EUR/m³]
- High efficiency
- Pressure (6 bar)
- Easy and quick installation
 - Over 180° stepless adjustment of the suction flange direction
- User-friendly and easy maintenance
 - Long service interval
 - Quick replacement of the mechanical shaft seal

Applications

- Energy and Environment
- Water and Waste Water Treatment
- Pulp and Paper
- Mining and Minerals
- Chemical / Biochemical Industry
- Oil and Gas
- Dyeing Industry
- Food, brewery and beverage industry
- Agricultural Industry and Solutions
- Sugar Industry
- Wood Processing
- Construction Industry
- Other Industrial Solutions



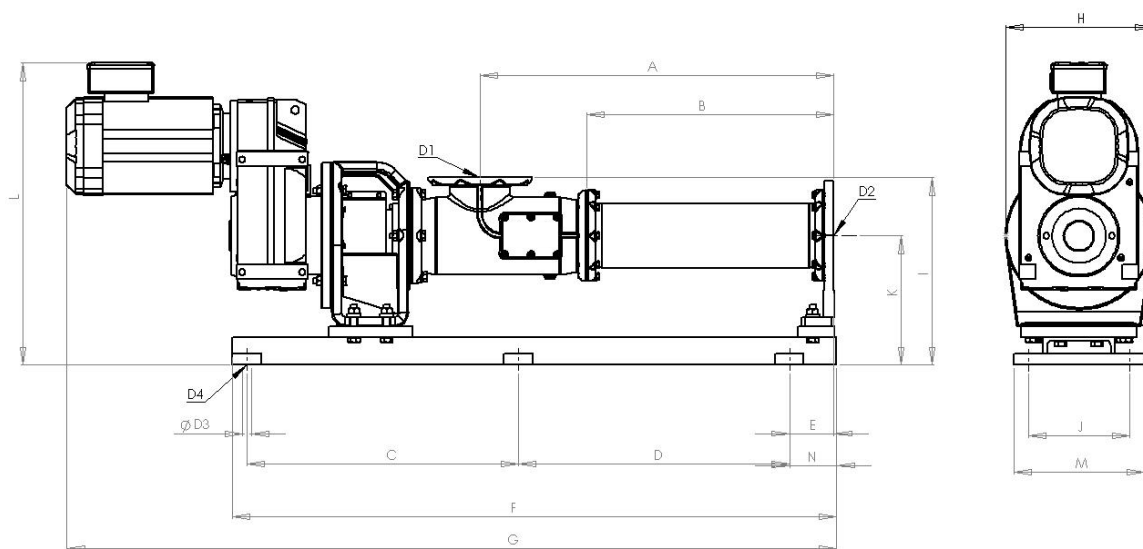
2/3-lobe elliptic rotor with long pitch enables higher flow rate



Product specification

Material alternatives:	Drive:	Shaft sealing:
Bearing unit: <ul style="list-style-type: none"> Cast Iron Suction Pipe: <ul style="list-style-type: none"> Stainless steel Rotor: <ul style="list-style-type: none"> Stainless steel hard coated Stainless steel Carbon steel hard coated Stator <ul style="list-style-type: none"> NBR Base Plate <ul style="list-style-type: none"> Carbon steel 	<ul style="list-style-type: none"> Gear motor drive with coupling 	<ul style="list-style-type: none"> Single Mechanical Shaft Seal Double Mechanical Shaft Seal Gland Packing

MAIN DIMENSIONS



Model	A	B	C	D	E	F	G*	H	I	J	K	L*	M	N	Weight (kg)	D1, D2	ØD3	D4
EL50/6	893	590	660	660	142	1519	1931	370	465	100	305	615	320	154	325	DN125	18	M16
EL100/6	972	679	745	745	123	1660	2123	444	515	280	355	766	360	130	543	DN150	24	M20
EL200/6	1173	795	900	900	170	2030	2686	583	647	400	460	977	500	170	1121	DN200	28	M24
EL330/6	1428	975	1110	1110	181	2470	3158	725	760	400	540	1147	500	190	1913	DN250	28	M24

Information without engagement. All rights to changes without prior notice reserved.

* = Normative dimensions. Dimensions are in mm.

