

Progressive Cavity Pump, D-series

TECHNICAL DATA SHEET

The Flowrox progressive cavity (PC) pumps' D-series is designed for the most demanding industrial dosing applications. Due to its technical features and design high efficiency and high pressure are achieved with a short construction. It is easy to install and requires less energy and maintenance resulting in very low Total Cost of Ownership (TCO).

GENERAL

The Flowrox D-series progressing cavity pumps were conceived by utilizing Flowrox's extensive experience in progressing cavity pump service and spare parts production as well as the knowledge gained from our innovative peristaltic pump range. Flowrox is the industry benchmark for abrasive, corrosive and other demanding shut-off, control and pumping applications.

BENEFITS

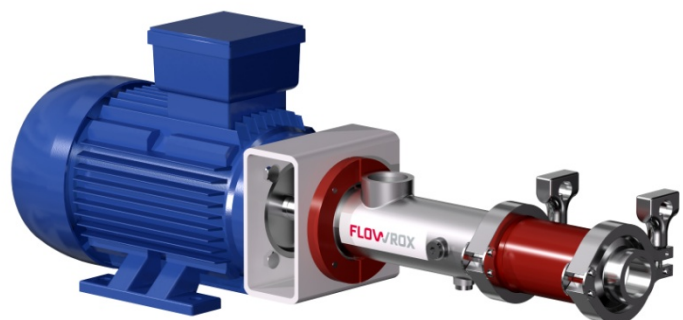
The precise $\frac{1}{2}$ -lobe rotor and stator technology allows a rigid and tighter pumping unit, which enables 12 bar pressure per stage and excellent efficiency. With optimized compression of rotor and stator friction, spillover and wearing is minimized.

Easy installation, usage and maintenance have been taken into account in pump's structure, e.g. the direction of pump's suction connection can be adjusted stepless and change of main seal is quick and easy.

With Flowrox PC pump's built-in advantages the customer's actual savings both in energy consumption as well as installation and maintenance costs result in the total cost of ownership decreasing and higher plant availability.



$\frac{1}{2}$ -lobe round rotor enables accurate dosing



Benefits and Features

- Low life cycle costs (TCO) [EUR/m³]
- High efficiency
- High pressure (12 bar)
- Easy and quick installation
 - Over 180° stepless adjustment of the suction flange direction
- User-friendly and easy maintenance
 - Long service interval
 - Quick replacement of the mechanical shaft seal

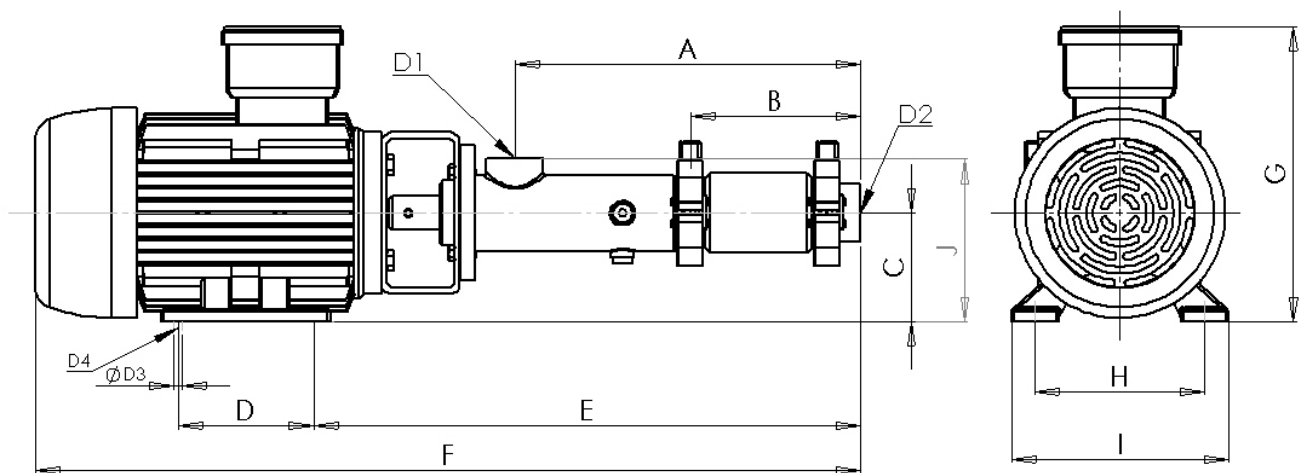
Applications

- All demanding and accurate dosing applications in various industries

Product specification

Material alternatives:	Drive:	Shaft sealing:
<p>Frame:</p> <ul style="list-style-type: none"> • Tubular beam <p>Suction Pipe:</p> <ul style="list-style-type: none"> • Stainless steel <p>Rotor:</p> <ul style="list-style-type: none"> • Stainless steel hard coated • Stainless steel • Carbon steel hard coated <p>Stator</p> <ul style="list-style-type: none"> • NBR 	<ul style="list-style-type: none"> • Electric motor with or without integrated VFD 	<ul style="list-style-type: none"> • Single Mechanical Shaft Seal

MAIN DIMENSIONS



Model	A	B	C	D	E	F*	G*	H	I	J	Weight (kg)	D1, D2	ØD3	D4
D004/12	215	85	80	100	364	569	218	125	160	120	14	R1"	10	M8
D01/12	265	135	80	100	414	619	218	125	160	120	14	R1"	10	M8
D025/12	255	125	80	100	404	609	218	125	160	120	15	R1"	10	M8
D075/12	345	215	90	100	580	904	240	140	174	130	17	R1"	10	M8

* = Normative dimensions. Dimensions are in mm.

Information without engagement. All rights to changes without prior notice reserved.

